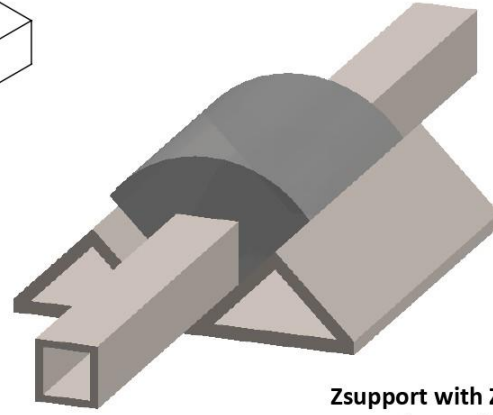
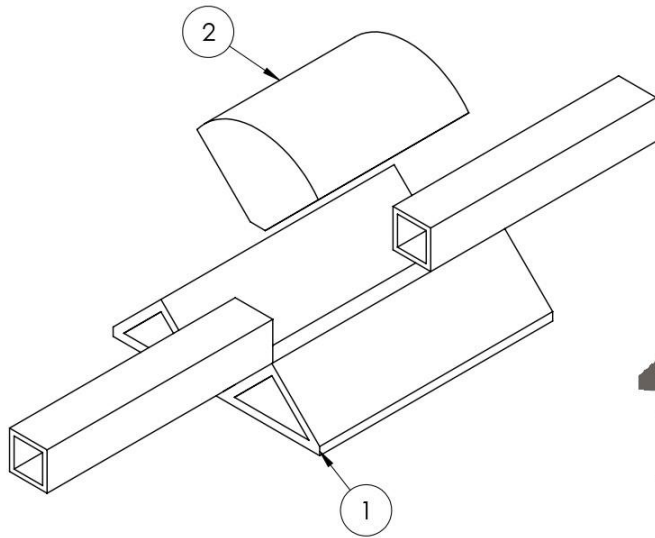


Zsupport™ with Zsupport™ X

The logo consists of the letters 'A', 'Z', and '9' in a bold, teal, sans-serif font. The 'A' and 'Z' are connected at the top, and the '9' is positioned to the right of the 'Z'.

AZ9

ENGINEERING PRECISION



Zsupport with Zsupport X
(Assembled)

ITEM NO.	PART NUMBER	MATERIAL OF CONSTRUCTION	QTY.
1	Zsupport	HIGH STRENGTH PLASTIC	1
2	Zsupport X	SS 304	1

Distinctive Characteristics

- Load capacity: 7500 kg at the contact point
- Handy and portable
- Easily removable/replaceable
- Simple and robust construction
- Operational temperature range: -20°C up to 65°C
- Prevents entrapment of water and moisture

General Specifications

Zsupport™:

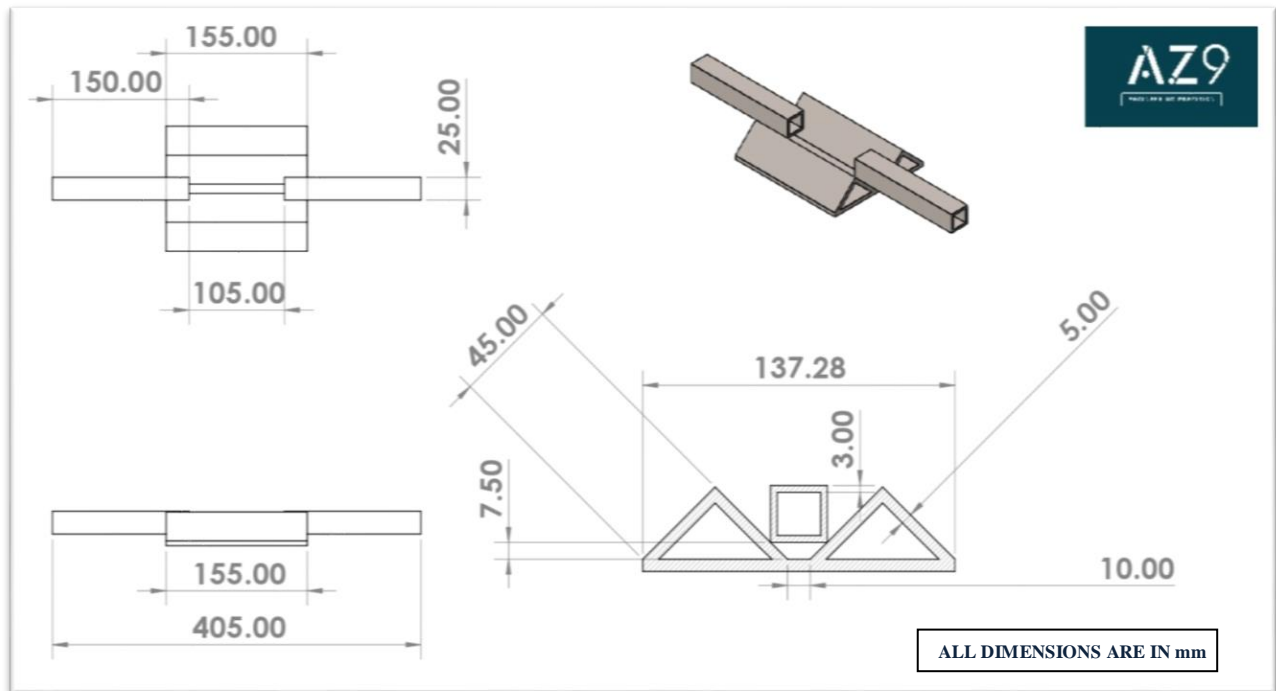
- Material of construction: SS304
- Economical and cost effective design
- Ample scope for design modification for use according to piping network orientation and pipe size
- Load distributed evenly across the structure
- Can accommodate lateral movements/vibration up to 10mm displacement from original mean position

Zsupport™ X:

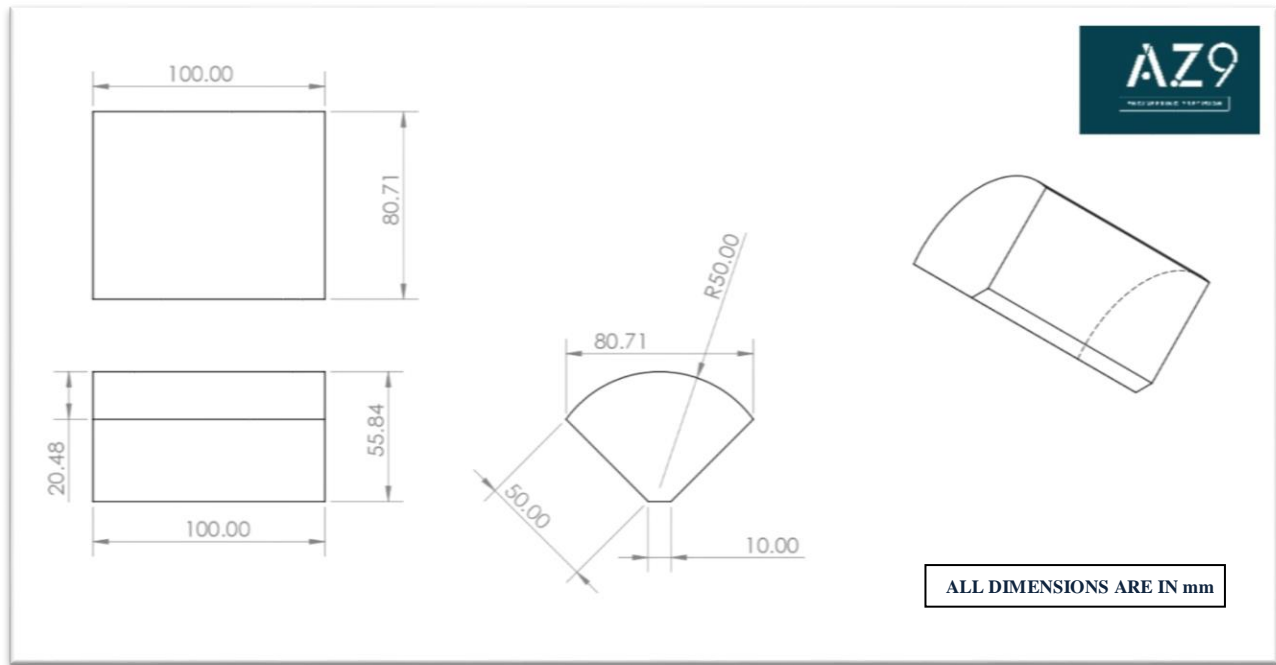
- Curved design geometry for minimum contact patch
- Allows for comfortable visual and technical inspection at the contact point
- Zsupport™ X is replaceable in case of damage
- Made of high strength, UV and weather resistant, non water absorbing and electrically insulating plastic
- Designed for pipe size of upto 32" (800 NB)

Technical Drawings

Zsupport™:



Zsupport™ X:



Application Consideration:

Care is to be taken during storage and installation to prevent exposure to temperatures and force beyond specified range.

EFFECTIVE DATE: April 2021



ENGINEERING PRECISION

AZ9 PRIVATE LIMITED
DULIAJAN, ASSAM, INDIA
786602

www.az-nine.com
+918822722164
info@az-nine.com; sales@az-nine.com