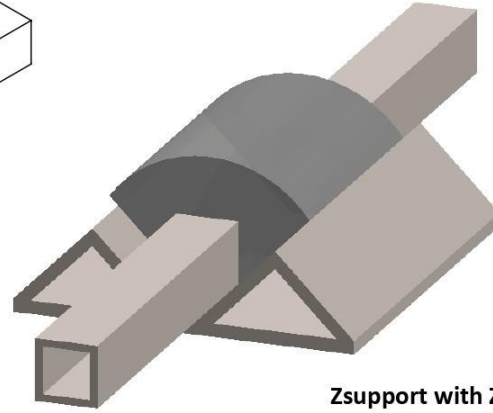
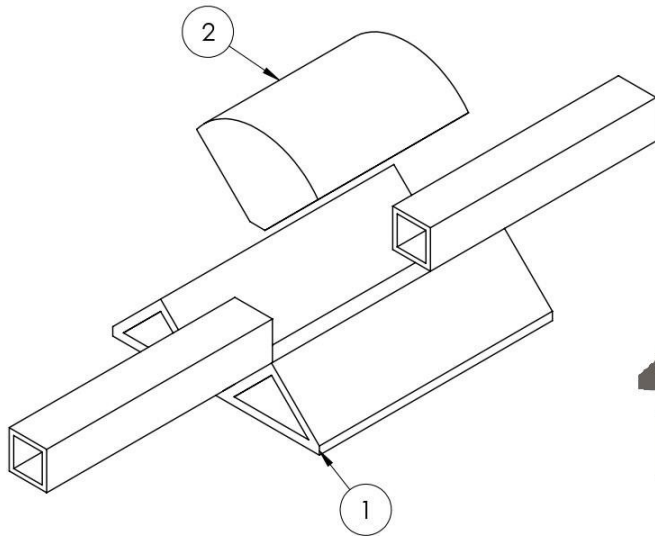


Zsupport[®] with Zsupport[®] X

AZ9

ENGINEERING PRECISION



Zsupport with Zsupport X
(Assembled)

ITEM NO.	PART NUMBER	MATERIAL OF CONSTRUCTION	QTY.
1	Zsupport	HIGH STRENGTH PLASTIC	1
2	Zsupport X	SS 304	1

Distinctive Characteristics

- Load capacity: 7500kg# at the contact point
- Operational temperature range: -20°C up to 70°C#
- Prevents entrapment of water and moisture
- Single point of contact with the pipe.
- Allows physical and visual access to pipe-support interface for regular operational maintenance.

- As per laboratory test results by TÜV Rheinland

General Specifications

Zsupport[®]

- Material of construction: SS304
- Scope for design modification for use according to piping network orientation and pipe size
- Inherent load bearing design features
- Small size for convenient storage and handling.

Zsupport[®] X

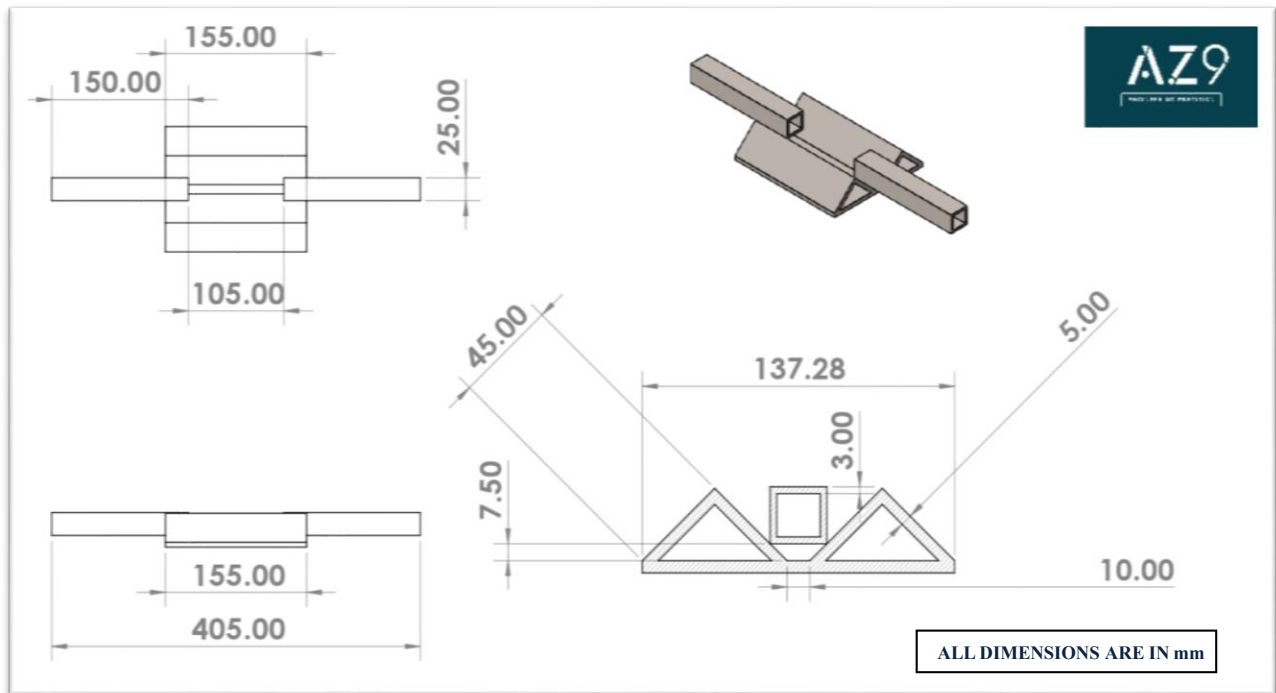
- Curved design profile for minimum contact patch
- Allows for comfortable visual and technical inspection at the contact patch
- Made of high strength[#], UV and weather resistant^{**}, nonwater absorbing plastic[#]
- Non conductive to prevent galvanic corrosion
- Self extinguishing flammability rating (UL94 HB classification)[#]
- Lower shear strength than conventional steel ensures no Damage to pipe surface due to friction/vibration.

- As per laboratory test results by TÜV Rheinland

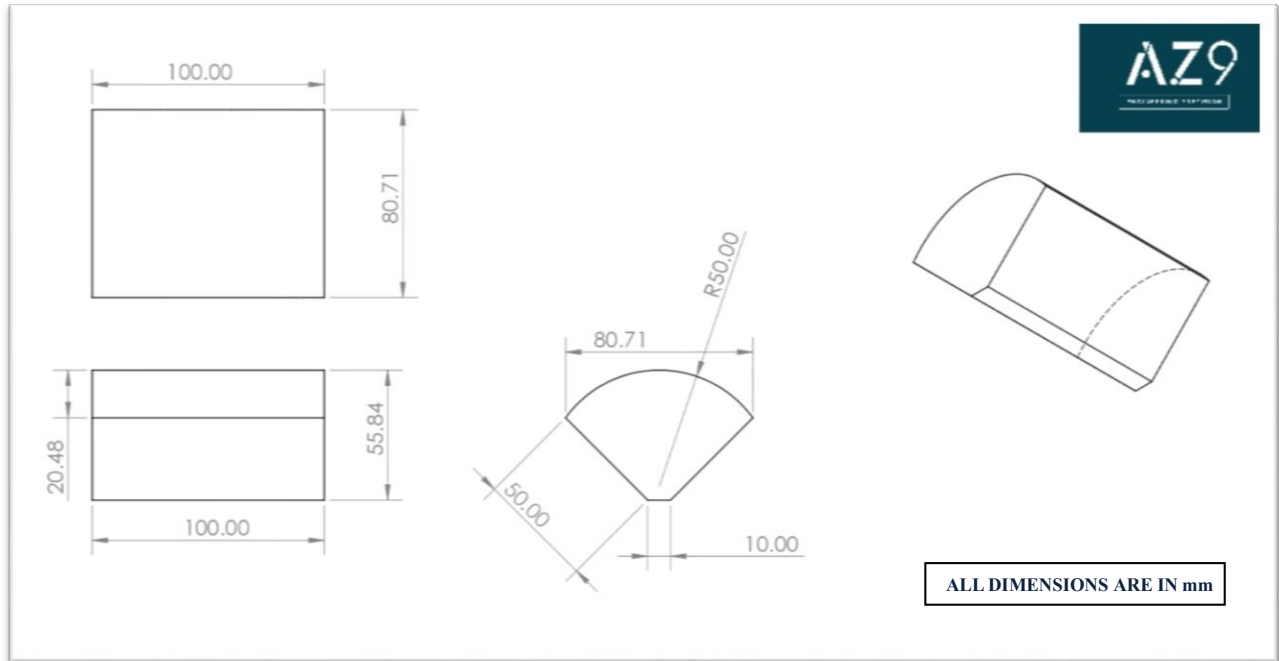
** - As per laboratory test results in compliance with ASTM G155-21 for 1000 hours by TÜV Rheinland

Technical Drawings

Zsupport[®]:



Zsupport[®] X:



Application Consideration:

Care is to be taken during storage and installation to prevent exposure to temperatures and force beyond specified range.

EFFECTIVE DATE: April 2024



AZ9 PRIVATE LIMITED
DULIAJAN, ASSAM, INDIA
786602

www.az-nine.com
+918822722164
info@az-nine.com; sales@az-nine.com

©AZ9 Private Limited